

Product Description

Web Tension Sensor BZH-A Size 01 and 02

Special Features

- ❑ Nominal forces from 5 to 20 kN
- ❑ Compact design for horizontal measuring direction
- ❑ Available in standard design or with individual dimensions
- ❑ Cost effective pillow block design made of high-strength aluminium

Scope of Supply

Web tension sensor with fixed PUR cable, 5 m in length with straight receptacle

Versions

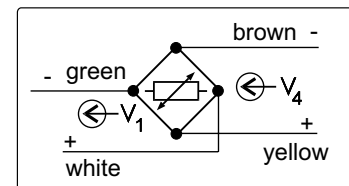
- **Option Q:**
Higher Protection Class IP67
- **Option U:**
Protective metal hose

Additional Accessories

- **Option F:**
Use in potentially explosive atmospheres (adaption Modul J-Box contained in the scope of supply)

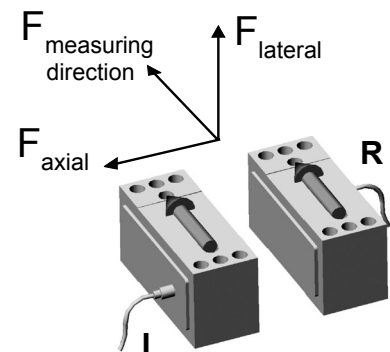


Measuring Cable Lead Colors



V_1 : Signal voltage
 V_4 : Supply voltage

When ordering please specify „L“ (left) or „R“ (right) in order to determine unequivocally the measurement direction and the cable connector exit.



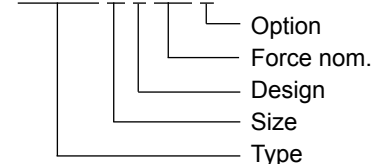
The **web tension sensors of the series BZH-A** are of a compact pillow block design and suitable for a variety of applications. The sensor is mounted in between the pillow block bearing and the machine frame.

All BZV - devices capture the horizontal forces of web tension.

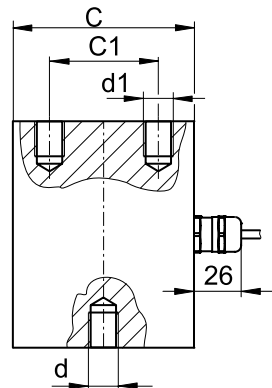
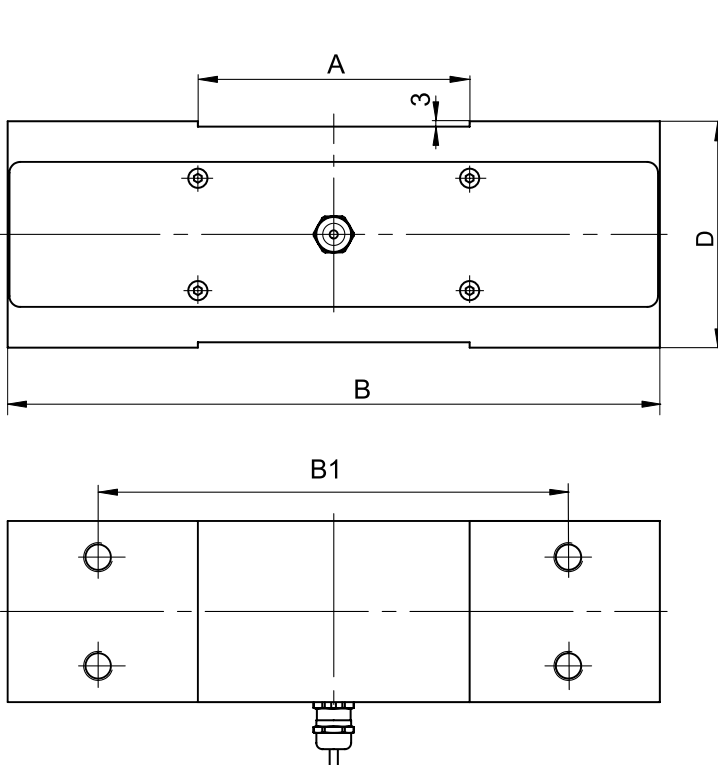
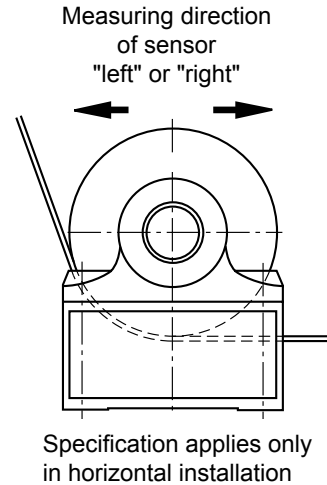
The voltage supply to the full bridge and the processing of the measuring signals is effected by way of a suitable amplifier of the standard **HAEHNE** product program.

Ordering Example

BZH-A02R20k-F



Technical Data	Values (%) based on nominal force
Measuring range	5; 10; 20 kN
Max. operating force	160 %
Absolute max. force ^{*)}	800 %
Nominal rating (with Option F: J-Box necessary)	0,5 mV / V
Combined error	0,5 %
Reproducibility	max. ± 0,1 %
Linearity deviation	max. ± 0,3 %
Hysteresis	max. ± 0,3 %
Nominal ambient temperature	+10 ... +60 °C / 32... 140 °F
Operational temperature range	-10 ... +70 °C / 14... 158 °F
Nominal resistance of the strain gauge bridge	1400 Ω
Bridge supply voltage	10 VDC
Enclosure protection	IP 54
Sensor cable (standard)	PUR, grau, 4 x 0,34 mm ²
Weight Size 01; 02 in kg	7; 11
*) with static load	



Alternatively, an individual adaptation to the following pillow block bearings is possible.
 For example:
 Size 01
 SKF (SNH 509)
 FAG (SNV 080)
 Size 02
 SKF (SNH 515)
 FAG (SNV 140)
 et al.



Not for use in corrosive environments

Dimensions in mm (1 mm = 0.03937 inches)

Size	B	B1	A	C	C1	D	d1	d
01	230 +0,5	170 ±0,1	127 +0,2	90 +0,5	50 ±0,1	125 -0,5	4xM12x24	2xM16x32
02	360 +0,5	260 ±0,1	150 +0,2	110 +0,5	70 ±0,1	125 -0,5	4xM16x32	2xM20x40