

Product Description

Web Tension Sensor BZV-A Size 01 and 02

Special Features

- Nominal forces from 5 to 20 kN
- Compact design for vertical measuring direction
- Available in standard design or with individual dimensions
- Cost effective pillow block design made of high-strength aluminium

Scope of Supply

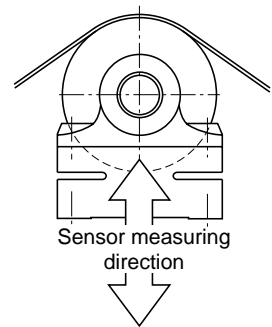
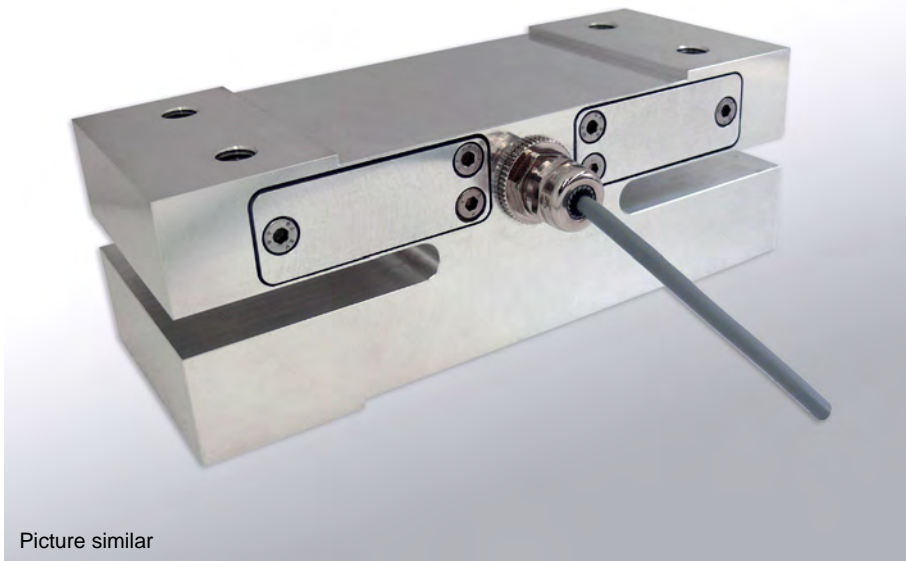
Web tension sensor with 5 meters fixed cable (PUR), with straight receptacle

Versions

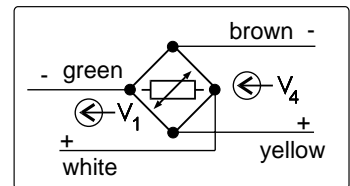
- **Option Q:**
Higher protection class IP67
- **Option U:**
With protective metal hose

Additional Accessories

- **Option F:**
Use in potentially explosive atmospheres with connection version T, Adaption Modul J-Box contained in the scope of supply



Measuring Cable Lead Colors



V_1 : Signal voltage
 V_4 : Supply voltage

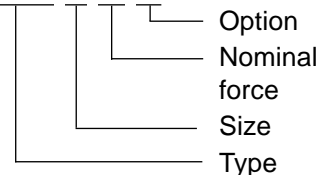
The **web tension sensors of the series BZV-A** are of a compact pillow block design and suitable for a variety of applications. The sensor is mounted in between the pillow block bearing and the machine frame.

All BZV - devices capture the vertical forces of web tension.

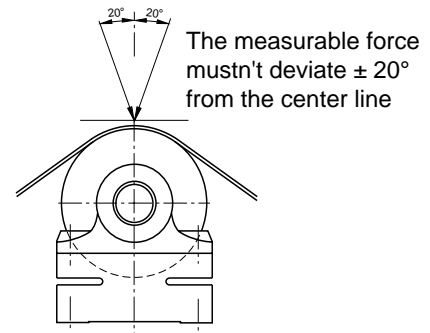
The voltage supply to the full bridge and the processing of the measuring signals is effected by way of a suitable amplifier of the standard *HAEHNE* product program.

Ordering Example

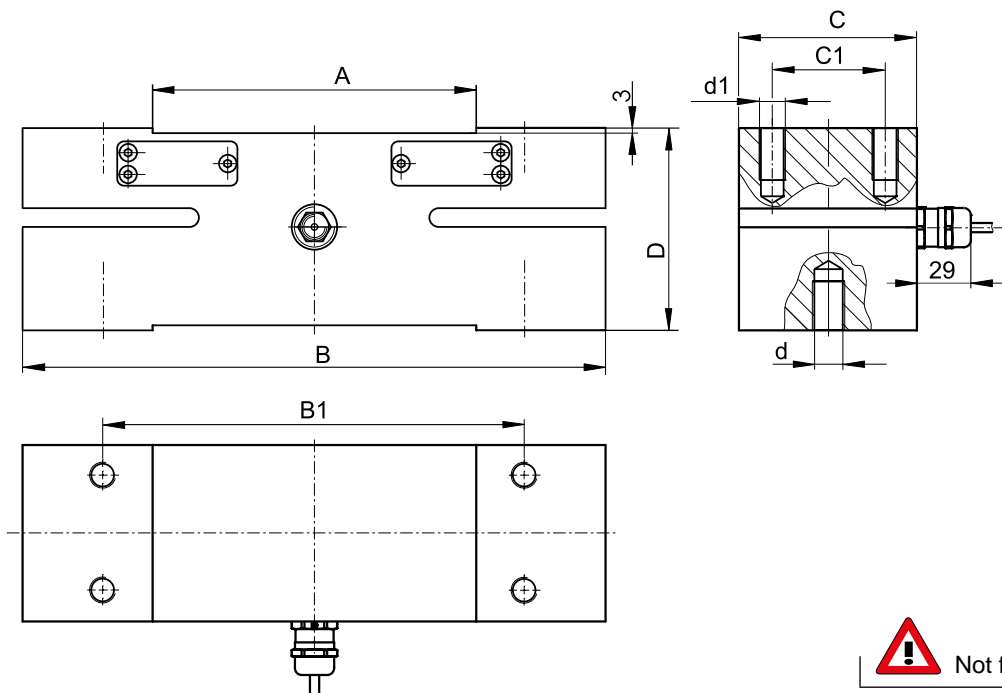
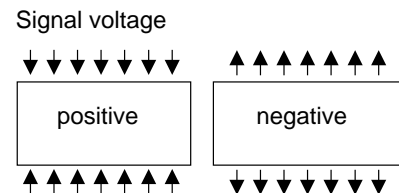
BZV-A01-20k-F



Technical Data	% Values based on nominal force
Measuring range	5; 10; 20 kN
Max. operating force	160 %
Absolute max. force ^{*)}	800 %
Nominal rating: (with option F J-Box necessary)	0,5 mV/V
Combined error	0,5 %
Reproducibility	max. ±0,1 %
Linearity deviation	max. ± 0,3 %
Hysteresis	max. ± 0,3 %
Nominal ambient temperature	+10... +60 °C / 32... 140 °F
Operational temperature range	-10... +70 °C / 14... 158 °F
Nominal resistance of the strain gauge bridge	1400 Ω
Max. bridge supply voltage	10 VDC
Enclosure protection	IP 54
Sensor cable (standard)	PUR, grey, 4 x 0,34 mm ²
Weight size 01; 02 in kg	7; 12
*) with static load	



Specification applies to horizontal installation



Alternatively, an individual adaptation to the following pillow block bearings is possible. For example:
 Size 01
 SKF (SNH 509)
 FAG (SNV 080)
 Size 02
 SKF (SNH 515)
 FAG (SNV 140)
 et al.



Not for use in corrosive environments

Dimensions in mm (1 mm = 0.03937 inches)

Size	B	B1	A	C	C1	D	d1	d
01	230 +0,5	170 ±0,1	127 +0,2	90 +0,5	50 ±0,1	125 -0,5	4xM12x24	2xM16x32
02	360 +0,5	260 ±0,1	200 +0,2	110 +0,5	70 ±0,1	125 -0,5	4xM16x32	2xM20x40